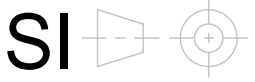
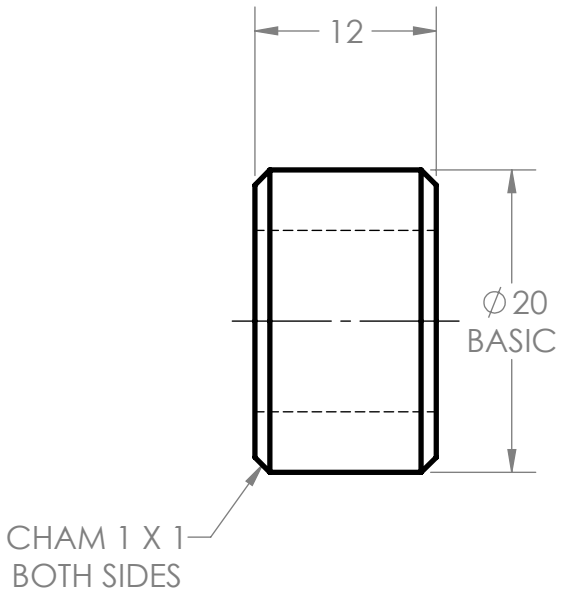
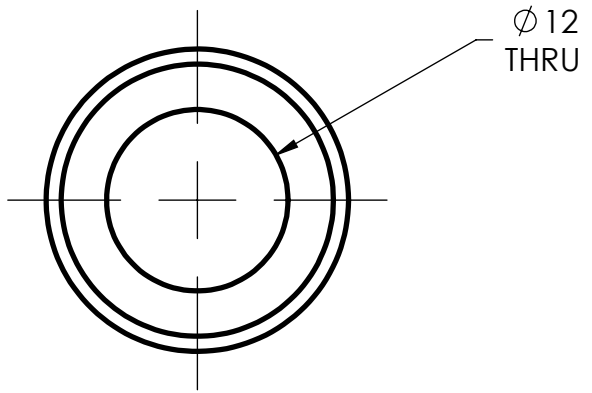


THE INFORMATION CONTAINED IN THIS DRAWING IS THE SOLE PROPERTY OF NC STATE UNIVERSITY. ANY REPRODUCTION IN PART OR WHOLE WITHOUT THE WRITTEN PERMISSION OF NC STATE UNIVERSITY IS PROHIBITED.
 FILE: Final_Project_part_5



NORTH CAROLINA STATE UNIVERSITY
 P.O. BOX 7801
 Raleigh, North Carolina

UNLESS OTHERWISE SPECIFIED
 DIMENSIONS ARE IN MILLIMETERS
 TOLERANCES ARE:
 FRACTIONS DECIMALS ANGLES
 + .XX+ .XX + 1
 .XXX+.XXX

DRAWN	A. R. CRICKARD
MATERIAL	BRASS

DATE	04/19/2019
SCALE	2:1

TITLE			BUSHING		
SIZE	PRT. NO.	#			
A	5	2			