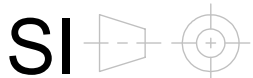
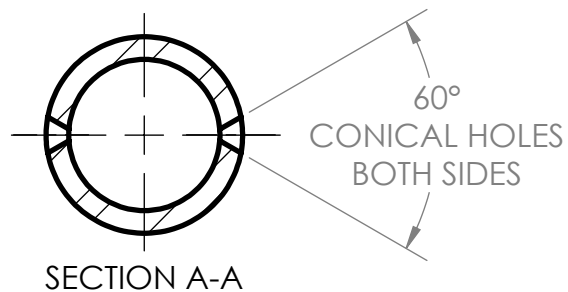
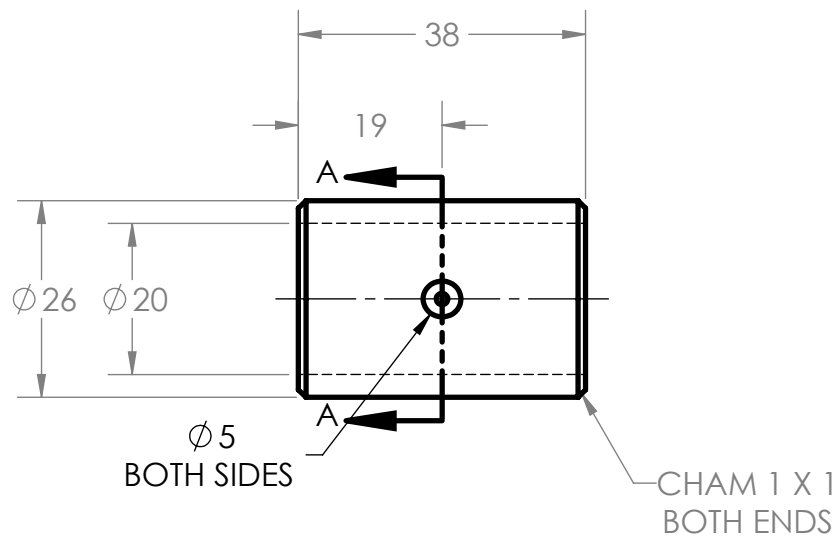


THE INFORMATION CONTAINED IN THIS DRAWING IS THE SOLE PROPERTY OF NC STATE UNIVERSITY. ANY REPRODUCTION IN PART OR WHOLE WITHOUT THE WRITTEN PERMISSION OF NC STATE UNIVERSITY IS PROHIBITED.
FILE: Final_Project_Part4



NORTH CAROLINA STATE UNIVERSITY

P.O. BOX 7801
Raleigh, North Carolina

UNLESS OTHERWISE SPECIFIED
DIMENSIONS ARE IN MILLIMETERS
TOLERANCES ARE:
FRACTIONS DECIMALS ANGLES
+ .XX+ .XX + 1
.XXX+.XXX

DRAWN
A. R. CRICKARD

DATE
04/23/19

TITLE
SLEEVE

MATERIAL
AISI 1020 STL

SCALE
SCALE

SIZE
A

PRT. NO.
4

1