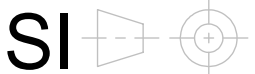
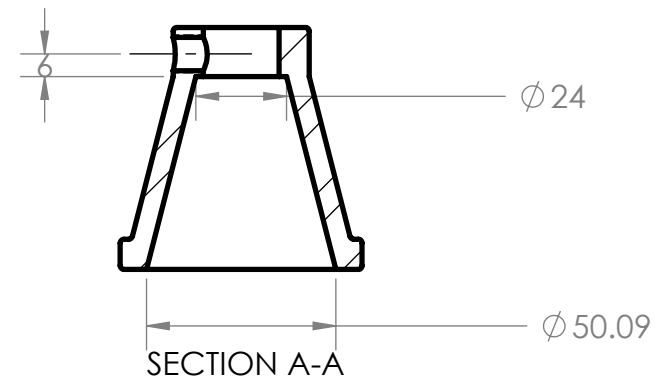
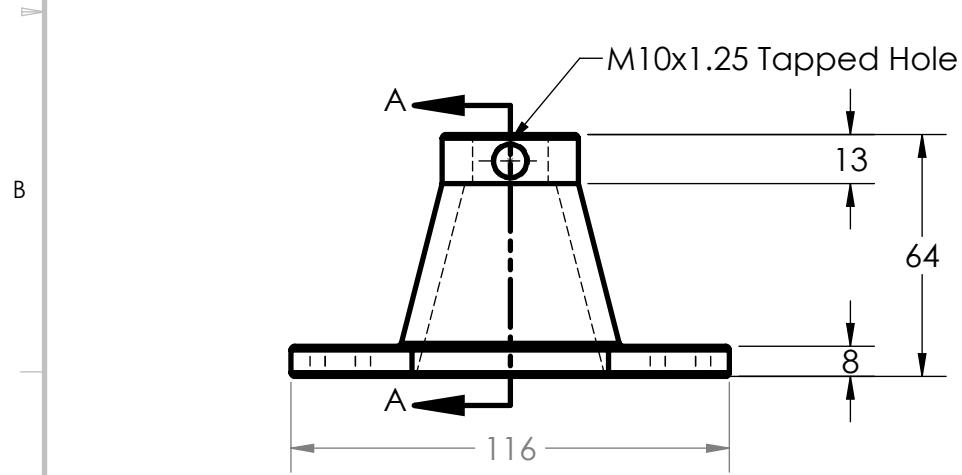
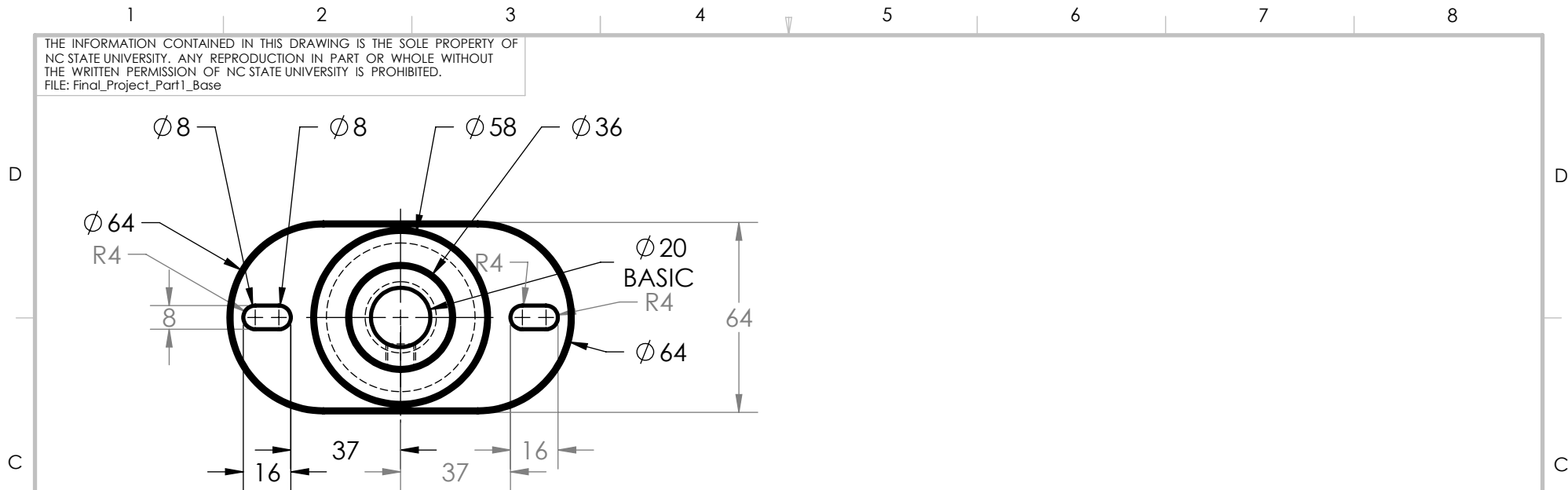


THE INFORMATION CONTAINED IN THIS DRAWING IS THE SOLE PROPERTY OF NC STATE UNIVERSITY. ANY REPRODUCTION IN PART OR WHOLE WITHOUT THE WRITTEN PERMISSION OF NC STATE UNIVERSITY IS PROHIBITED.  
 FILE: Final\_Project\_Part1\_Base



**NORTH CAROLINA STATE UNIVERSITY**  
 P.O. BOX 7801  
 Raleigh, North Carolina

UNLESS OTHERWISE SPECIFIED  
 DIMENSIONS ARE IN MILLIMETERS  
 TOLERANCES ARE:  
 FRACTIONS .XX+ .XX -1  
 DECIMALS .XXX+ .XXX  
 ANGLES +1

DRAWN	A R CRICKARD		DATE	04/10/2019		TITLE		BASE	
	MATERIAL	AISI 1020 STL		SCALE	1:1		SIZE	PRT. NO.	#
						A	1		1