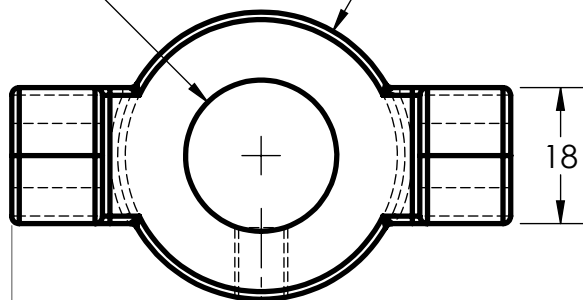


THE INFORMATION CONTAINED IN THIS DRAWING IS THE SOLE PROPERTY OF NC STATE UNIVERSITY. ANY REPRODUCTION IN PART OR WHOLE WITHOUT THE WRITTEN PERMISSION OF NC STATE UNIVERSITY IS PROHIBITED.
 FILE: Final_Project_Part2

Ø 20
 BASIC

Ø 38



33

18

M7x1.0 Tapped Hole

12

A

12

41

10

20

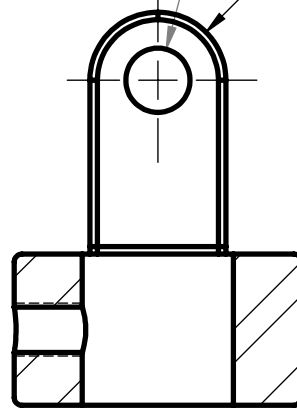
18

2

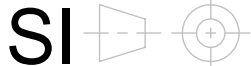
66

Ø 8.5 THRU ALL
 M10X1.5 - 6H THRU ALL

R9



SECTION A-A



NORTH CAROLINA STATE UNIVERSITY

P.O. BOX 7801
 Raleigh, North Carolina

UNLESS OTHERWISE SPECIFIED
 DIMENSIONS ARE IN MILLIMETERS
 TOLERANCES ARE:
 FRACTIONS DECIMALS ANGLES
 + .XX+ .XX + 1
 .XXX+.XXX

DRAWN	A R CRICKARD
MATERIAL	AISI 1020 STL

DATE	04/10/2019
SCALE	1:1

TITLE	FORK		
SIZE	PRT. NO.	#	
A	2	1	